



FIXED LUMINAIRE

Rated power: **Max 40W**
Rated voltage: **230V**
Frequency: **50Hz**

Type lamp: **E14**
Protection degree: **IP20**
Safety class protection: **Classe I**

WARNING:

- 1- Read these instructions carefully before beginning to fit the lighting unit.
- 2- To preserve with care this sheet for every ulterior consultation.
- 3- This electrical unit must be installed by qualified personnel.
- 4- The following the assembly technical designs are generic (do not represent the specific article).

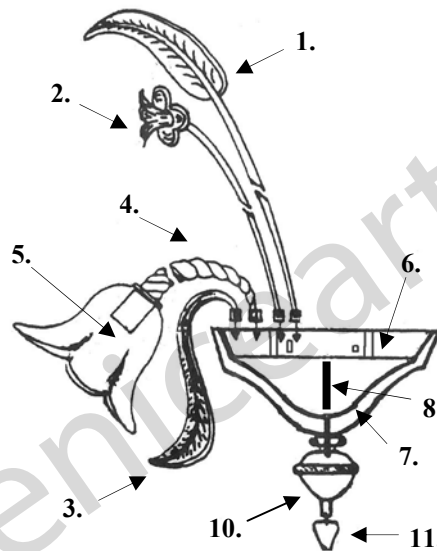
The manufacturer is not responsible if the fixtures are not installed in according to these instructions and to local safety standards.



For glass component

Assembly legend:

1. Upward glass leaf with rings at the bottom end to allow the glass to hang straight from the metal plate
2. Flower (same as 1.)
3. Downward lever (same as 1.)
4. Arm (same as 11.)
5. Glass shade in which must be inserted the socket
6. Metal plate with hole where must be inserted the arms, the downward and upward leaves and the flowers
7. Aluminum cover for the metal plate
8. Threaded bolt to block the metal plate
9. Glass bottom bowl
10. Glass ball
11. Glass finial



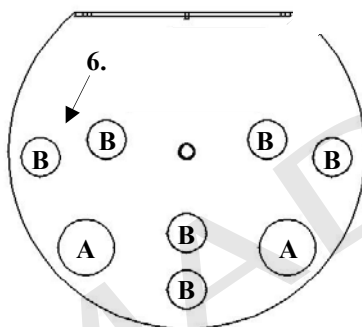
Assembly connector instructions:

- a) Pre-drill two holes in the wall, to a distance of 48 mm. Attach metal base of the luminaire with the screws in equipment;
- b) Insert and lock the GROUND cable in the clip marked with the ground symbol \oplus ;
- c) Insert and lock the LINE cable in the clip marked with the line symbol "L";
- d) Insert and lock the NEUTRAL cable in the clip marked with the neutral symbol "N";
- e) Execute the assembly like described in the "Assembly legend".

Maintenance instruction:

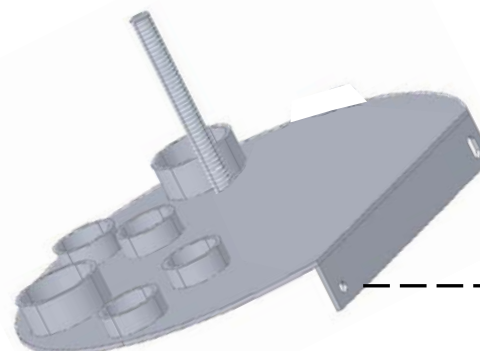
WARNING: THE LAMP IS VERY HOT, DON'T TOUCH TILL WHEN IT'S COLD
For lamp substitution:

- a) Disconnect main power;
- b) Turn the lamp and take one with the same technical characteristics;
- c) Connect main power and turn on the switch for power on the luminaire;



Insert the wires of lampholder to male faston marked with label (L) e (N)

- A) Holes where must be inserted the arms, locked by screws.
- B) Holes where must be inserted decorative components (1, 2, 3)



48mm (Holes for wall implantation of the lighting system apparatus).